



General Description

INNO-TECH'S LED UFO Highbay range is designed to replace traditional HID and HIF in a variety of applications, especially suited for warehouse, factories. Adopt the most advanced LM80 / TM21 certified Samsung LEDs and UL listed Meanwell LED driver. INNO-TECH uses innovative optics and thermally efficient design, that enables the fittings to exceed 130-140lm/W. Combined with dimmable versions, 1-10V DALI system and sensors, INNO-TECH's UFO highbay will help you save up to 80% in energy savings. It is available in 100W, 150W, 200W and more options suitable for installation up to 16m or higher.

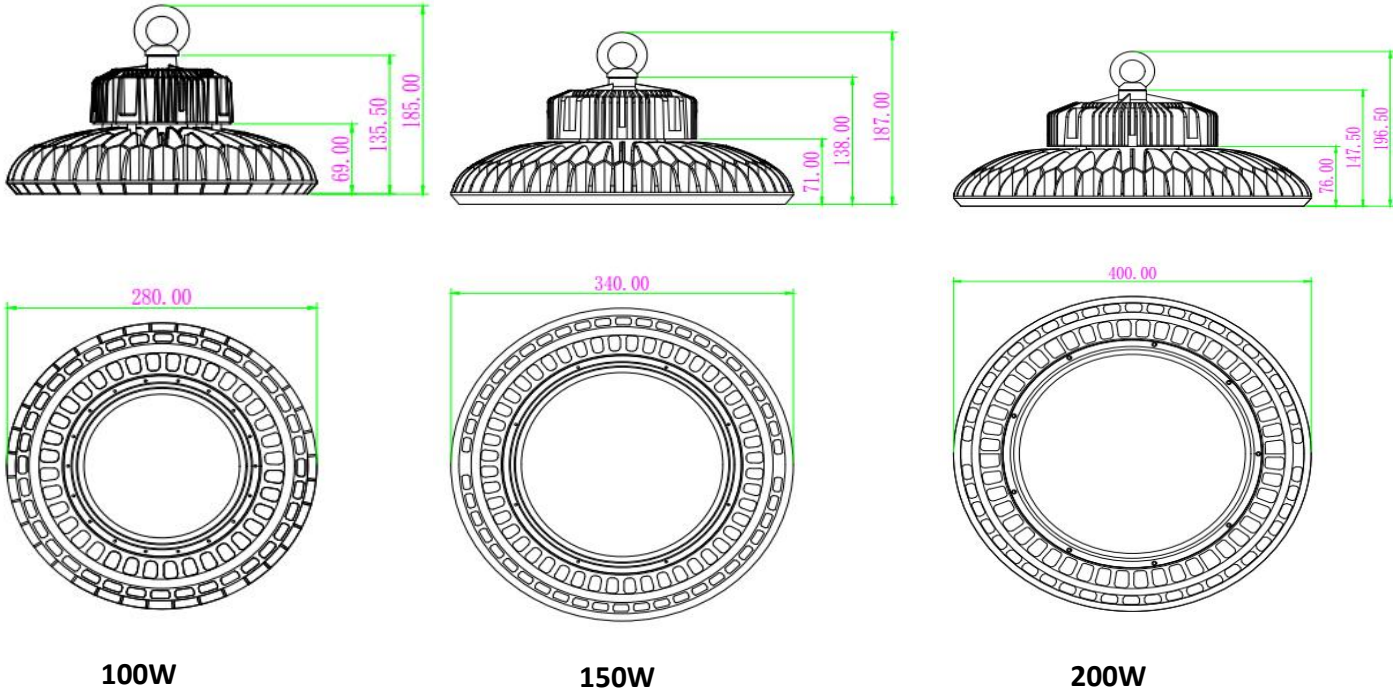
Features

- High Output LED's, up to 130-140lm/W, LM80 / TM21 certified Samsung LED
- High CRI >80 UGR <25
- UL listed Meanwell driver, High PF >0.96 low THD driver, Flicker free
- Environmentally friendly, no mercury, No UV, No IR
- 60°/90°/ 120° for option
- IP65 protection rating ; for indoor & outdoor using
- Energy Efficiency Grade: A+++
- Quick Start instant 100% luminous flux
- 5 Year Warranty on complete fixture. (LED's, Driver, & Housing)
- Certificate: CE, RoHS, SAA, C-TICK
- Body: Aluminium alloy
- Stainless steel screws
- **Options:**
 - 1-10V Dimming,
 - 1-10V Step Dim Microwave Sensor > 15m (Can be used as On/Off on non 1-10V) MW,
- Hanging mount accessories included ;

Electrical and Technical Data

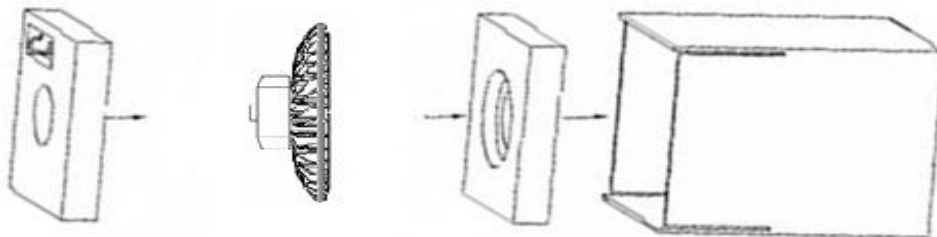
| Model No | IT-HB100W | IT-HB150W | IT-HB200W |
|------------------|---------------|---------------|---------------|
| Input Power | 100W | 150W | 200W |
| CCT | 5500K | 5500K | 5500K |
| CRI | >80 | >80 | >80 |
| Power Factor | >0.95 | >0.95 | >0.95 |
| IP Grade | IP65 | IP65 | IP65 |
| Input Voltage | 90-305V AC | 90-305V AC | 90-305V AC |
| Lumen Efficiency | 130-140lm/W | 130-140lm/W | 130-140lm/W |
| Beam Angle | 60°/90°/ 120° | 60°/90°/ 120° | 60°/90°/ 120° |
| Working Temp | -20°-50° | -20°-50° | -20°-50° |
| Warranty | 5 Years | 5 Years | 5 Years |
| Lifetime | 50,000hrs | 50,000hrs | 50,000hrs |

Product Dimension&Package Details



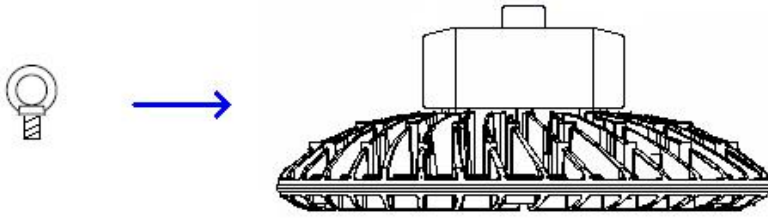
| Model | D(Norm) | H(Norm) | N.W/PC | G.W/PC | Qty/CTN | Size/CTN |
|-----------|---------|---------|--------|--------|----------|---------------|
| IT-HB100W | Ø 280mm | 185mm | 3.5KG | 4.0KG | 1PCS/CTN | 340*340*210mm |
| IT-HB150W | Ø 340mm | 187mm | 5.0KG | 5.5KG | 1PCS/CTN | 400*400*210mm |
| IT-HB200W | Ø 400mm | 196mm | 6.5KG | 7.5KG | 1PCS/CTN | 460*460*210mm |

Packing diagram

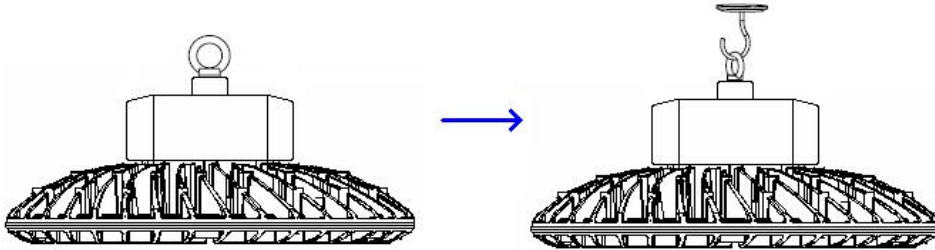


Installation Guideline

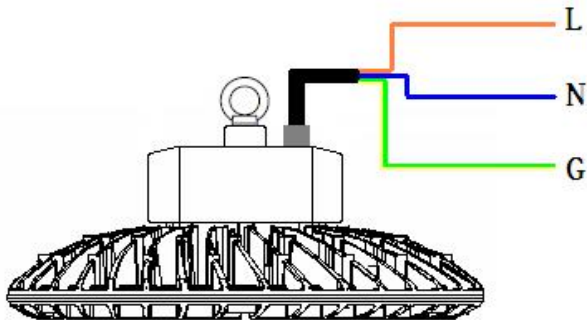
1: First install the lifting eyebolt, then locking to ensure strong.



2. Put the high bay light hanging on the ceiling hook.



3. For safety, make sure the power cables are connected by electricians.



Application

- Sports lighting
- Warehouse
- Storage
- Factory

